

# SPECIFICATION SHEET

## PRODUCT # : CL-366

•Brick Lights

•Aluminum

### Fixture Specifications:

**Housing:** Heavy Duty corrosion resistant galvanized steel with self-leveling adjustable bars.

**Faceplate:** Aluminum UV powder Coated, fitted to housing with a silicone gasket.

**Finish:** Available in: **BK**- Black, **BZ**- Bronze, **RT**- Rust, **WH**- White

**Lens:** High impact white polycarbonate

**Socket:** Two S.C. Bayonet sockets, attached to aluminum reflector.

**Lamp:** 12 volt, S.C Bayonet 2x27W Max. L-SCB-1141 (18W) standard. LED lamps available in 2W and 2.5W, with 2700K-warm white or 3000K-cool white color temperature. Xenon and halogen lamps also available.

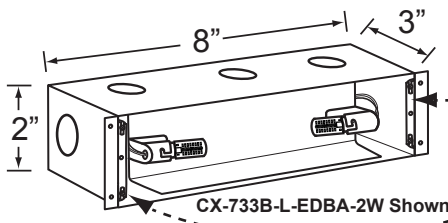
**Gasket:** Silicone gasket, seals faceplate to housing. Providing weather tight protection.

**Wiring:** Fixture is prewired with a 12-inch 18-2 SPT1-W direct burial cord. Wire connector sold separately. Gel filled wire nut (**CX-854**) is available from Corona Lighting.

**Mounting:** Recessed mount back box. Best used in concrete, brick and other masonry, with 5x 1/2" NPT inlets.

**Electrical Notes:** A remote 12V transformer required, may be ordered to Corona Lighting separately. Voltage range for LED lamps are 10V to 18V.

**Warranty:** Limited one year warranty against manufacturer's defects.



Self-Leveling Mounting Bracket  
(enlarged for detail)

faceplate  
mounting screw

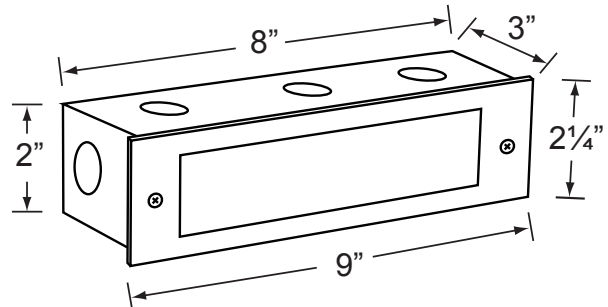
Self leveling adjustable brackets on the mounting box allow for proper alignment of the faceplate.



CL-366-BZ shown



2W and 2.5W



### AVAILABLE LED LAMPS (Corona LED lamps have a five (5) year limited warranty against manufacturer's defects)

LAMP NUMBER	WATTS	BEAM		COLOR & TEMP.	RATED HOURS	HALOGEN EQUIVALENT
		SPREAD	LUMEN			
L-EDBA-2W	2	360°	200	2700K	25,000	20 Watt
L-EDBA-2.5W	2.5	180°	240	2700K	25,000	35 Watt
L-EDBA-2W-3K	2	360°	210	3000K	25,000	20 Watt
L-EDBA-2.5W-3K	2.5	180°	250	3000K	25,000	35 Watt

### FACEPLATE ONLY

CX-878 Available in: **BK**- Black, **BZ**- Bronze, **RT**- Rust, and **WH**- White

### MOUNT BACK BOX

CX-733B Steel box with two 18w #1141 S.C. bayonet lamps.

CX-733B-H Steel box with two 10W/20W S.C. bayonet base T3 halogen lamps.

CX-733B-L Steel box with two 2W/2.5W S.C. bayonet base LED lamp (see above)

CX-733B-X Steel box with two 10W/20W S.C. bayonet base Xenon 10,000 HR lamps

### JOB INFORMATION

TYPE: DATE:

JOB NAME & ADDRESS:

PRODUCT #:

TOTAL QUANTITY:

LAMP TYPE & WATTAGE:

TRANSFORMER:

CONTRACTOR:

SPECIFIER:

• If you are ordering LED lamps you should follow the format below:

• **CL** - **product #** - **color** - **lamp** - **wattage**  
CL - 366 - BZ - L-EDBA - 2W-3K

Example: CL-366-BZ-L-EDBA-2W-3K

• Corona Lighting reserves the right to make any change and/or improvement to the design and construction of this fixture without further notification.